

ZWBPD010010

Application: Eyebrow pencil, Camera, Health care product, Auto watering device, and etc.

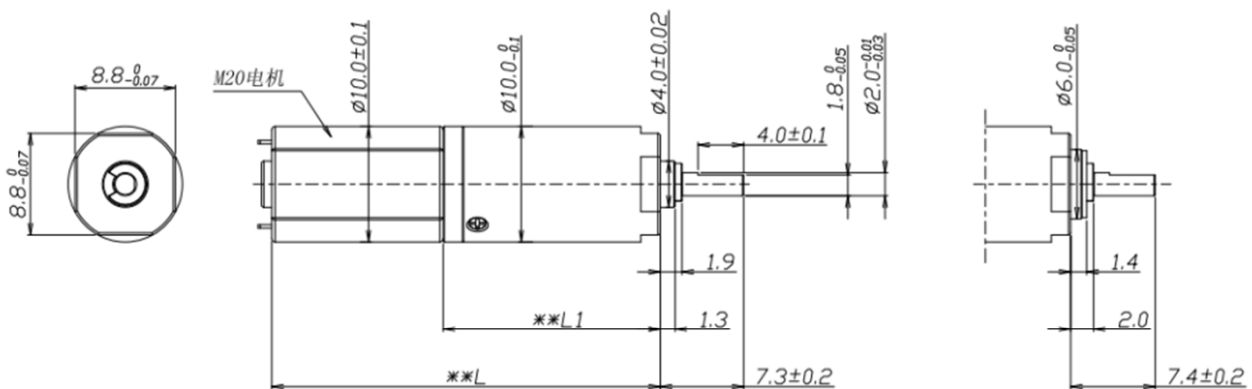
Standard Plastic Geared Motor

Output Power: 0.01W~0.5W

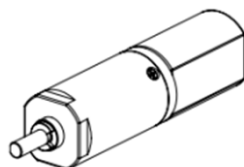
Metal output shaft

Model	Application Parameters							Overall Length mm	Rated Torque of Gear Box gf.cm	Instant Torque of Gear Box gf.cm	Gear Ratio	Gear Box Length mm
	Rated	At No Load		At Rated Load								
	Voltage	Speed	Current	Speed	Current	Torque						
	VDC	rpm	mA	rpm	mA	gf.cm	mN.m					
ZWBPD010010-3	3.0	4318	60	3625	215	6	0.6	24.7	1300	4000	4	9.7
ZWBPD010010-5	3.0	2879	60	2417	215	10	0.9		1300	4000	6	
ZWBPD010010-13	3.0	1329	70	1115	215	17	1.6		1300	4000	13	
ZWBPD010010-19	3.0	909	70	763	215	24	2.4	27.8	1300	4000	19	12.8
ZWBPD010010-28	3.0	617	70	518	215	36	3.5		1300	4000	28	
ZWBPD010010-46	3.0	375	80	315	215	39	3.8	30.9	1300	4000	46	15.9
ZWBPD010010-69	3.0	250	80	210	215	58	5.7		1300	4000	69	
ZWBPD010010-102	3.0	169	80	142	215	86	8.4		1300	4000	102	
ZWBPD010010-151	3.0	114	80	96	215	127	12.5		1300	4000	151	
ZWBPD010010-168	3.0	98	80	86	220	106	10.4	34	1300	4000	168	19
ZWBPD010010-249	3.0	66	80	58	220	158	15		1300	4000	249	
ZWBPD010010-368	3.0	45	80	39	220	233	23		1300	4000	368	
ZWBPD010010-546	3.0	30	80	27	220	346	34		1300	4000	546	
ZWBPD010010-809	3.0	20	80	18	220	512	50		1300	4000	809	

* above specifications are subject to change without notice, just for reference and customizable according to requirements



输出轴轴承: 铜基滑动轴承



输出轴轴承: 滚珠轴承
(L, L1=+1)

