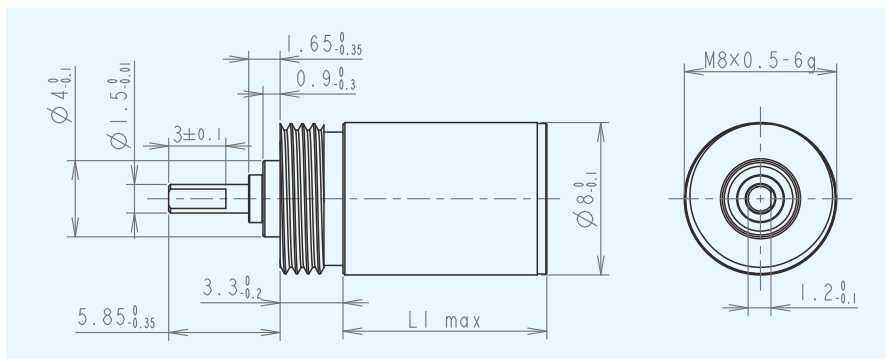


SMD008008

Φ8mm Planetary Gearbox



Technical data

Gearbox number		1	2	3	4	5
Continuous output torque (MAX)	Nm	0.01	0.02	0.06	0.08	0.1
Instant mobilization torque (MAX)	Nm	0.015	0.03	0.09	0.12	0.15
Reduction ratio	/	4	16 36	64 216	256 1296	1024
Outer diameter	mm	8	8	8	8	8
Gearbox length	mm	5.5	8.1	10.7	13.3	15.9
Maximum efficiency	%	90	81	73	65	59
Recommended temperature range	°C	-30~+85	-30~+85	-30~+85	-30~+85	-30~+85
Gearbox weight (MAX)	G	2.6	3.2	3.8	4.4	5
Maximum transmission power (continuous)	W	0.84	0.52	0.39	0.13	0.04
Maximum transmission power (Instantaneous)	W	1.05	0.65	0.49	0.16	0.05
Air load average empty return	°	1.8	2	2.2	2.5	3
The maximum axial load (dynamic)	N	5	5	5	5	5
The maximum radial load (4mm from flange)	N	5	6	7	8	8
Output Bearing		Rolling Pearl Bearing	Rolling Pearl Bearing	Rolling Pearl Bearing	Rolling Pearl Bearing	Rolling Pearl Bearing
Pearl bearing	mm	0~0.1	0~0.1	0~0.1	0~0.1	0~0.1

*Note: The above data does not include the motor, the overall sale of the gearbox and the motor, the specific parameters can be customized according to the customer's requirements.

Modular combination

Combined product	Model	Series				
		1	2	3	4	5
DC motor	MP0816 Φ8mm Graphite brush	22.5	25.1	27.7	30.3	32.9
Brushless motor	MO0832 Φ8mm coreless brushless motor	37.50	40.10	42.70	45.30	47.90
	MC0824 Φ8mm coreless brushless motor	29.50	32.10	34.70	37.30	39.90
Encoder	CB-ST-8	Magnetic tape				

Application product data

Model	Rated voltage (V)	Air load data		Load data			Total length (mm)	Gearbox rated torque (NM)	Gearbox instantaneous torque (NM)	Reduction ratio	gearbox length L1 (mm)
		Air -load speed (rpm)	No-load current (mA max)	Load speed (rpm)	Load current (mA Max)	Torque (gf.cm)					
ZWSMD008008-04-X	12	9625	130	6375	600	100	29.5	0.01	0.015	4	5.5
ZWSMD008008-16-X	12	2406	140	1594	650	300	32.1	0.02	0.03	16	8.1
ZWSMD008008-36-X	12	1069	140	708	650	80		0.008	0.012	36	
ZWSMD008008-64-X	12	602	150	398	700	600	34.7	0.06	0.09	64	10.7
ZWSMD008008-216-X	12	178	150	118	700	200		0.02	0.03	216	
ZWSMD008008-256-X	12	150	160	100	750	800	37.3	0.08	0.12	256	13.3
ZWSMD008008-1296-X	12	30	160	20	750	400		0.04	0.06	1296	
ZWSMD008008-1024-X	12	38	170	25	800	1000	39.9	0.1	0.15	1024	15.9