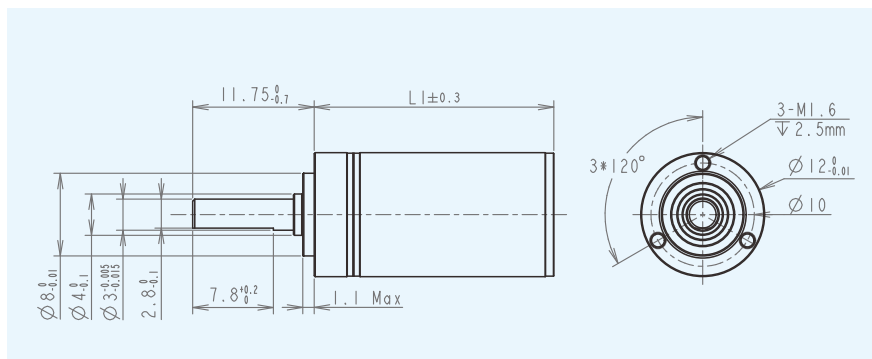


# SMD012012

Φ12mm Planetary Gearbox



## Technical data

Gearbox number		2	3	4
Continuous output torque (MAX)	Nm	0.25	0.3	0.35
Instant mobilization torque (MAX)	Nm	0.3	0.38	0.41
Reduction ratio	/	16, 21, 26, 28, 35	62, 83, 103, 111, 138, 150, 172, 186, 231	243, 326, 406, 439, 546, 590, 679, 734, 794, 913, 987, 1135, 1227, 152612
Outer diameter	mm	12	12	12
Gearbox length	mm	17.5	23.3	27.8
Maximum efficiency	%	75	65	55
Recommended temperature range	°C	-40~+100	-40~+100	-40~+100
Gearbox weight (MAX)	G	12.4	15.5	18.6
Maximum transmission power (continuous)	W	2.2	1.1	0.6
Maximum transmission power (Instantaneous)	W	2.8	1.4	0.8
Air load average empty return	°	1.5	1.8	2.1
The maximum axial load (dynamic)	N	20	20	20
The maximum radial load (4mm from flange)	N	45	60	60
Output Bearing		Rolling Pearl Bearing	Rolling Pearl Bearing	Rolling Pearl Bearing
Pearl bearing	mm	< 0.1	< 0.1	< 0.1

\*Note: The above data does not include the motor, the overall sale of the deceased and the motor, the specific parameters can be customized according to the customer's requirements.

## Modular combination

Combined product	Model	Series		
		2	3	4
DC motor	1220 Φ12mm coreless metal brush	37.5	43.3	47.8
	1228 Φ12mm coreless metal brush	45.7	51.5	56.0
Brushless motor	1226 Φ12mm coreless metal brush	43.6	49.4	53.9
	1232 Φ12mm coreless metal brush	49.5	55.3	59.8
Encoder	CB-ST-8	Magnetic tape		

## Application product data

Model	Rated voltage (V)	Air load data		Load data			Total length (mm)	Gearbox rated torque (NM)	Gearbox instantaneous torque(NM)	Reduction ratio	gearbox length L1(mm)
		Air -load speed (rpm)	No-load current (mA max)	Load speed (rpm)	Load current (A Max)	Torque (NM)					
ZWSMD012012-16	12	1836	117	1836	1	0.028	43.5	0.25	0.3	16	17.5
ZWSMD012012-21	12	1365	117	1365	1	0.037				21	
ZWSMD012012-26	12	1098	117	1098	1	0.046				26	
ZWSMD012012-28	12	1015	117	1015	1	0.050				28	
ZWSMD012012-35	12	816	117	816	1	0.063				35	
ZWSMD012012-62	12	465	117	465	1	0.095	49.3	0.3	0.38	62	23.3
ZWSMD012012-83	12	346	117	346	1	0.128				83	
ZWSMD012012-103	12	278	117	278	1	0.159				103	
ZWSMD012012-111	12	257	117	257	1	0.172				111	
ZWSMD012012-138	12	207	117	207	1	0.214				138	
ZWSMD012012-150	12	191	117	191	1	0.231				150	
ZWSMD012012-172	12	166	117	166	1	0.266				172	
ZWSMD012012-186	12	154	117	154	1	0.288				186	
ZWSMD012012-231	12	124	117	124	1	0.357				231	
ZWSMD012012-243	12	118	117	118	0.8	0.318				243	
ZWSMD012012-326	12	88	117	71	0.8	0.350	326	53.8	0.35	0.35	27.8
ZWSMD012012-406	12	70	117	60	0.8	0.350	406				
ZWSMD012012-439	12	65	117	56	0.8	0.350	439				
ZWSMD012012-546	12	52	117	47	0.8	0.350	546				
ZWSMD012012-590	12	48	117	44	0.8	0.350	590				
ZWSMD012012-679	12	42	117	38	0.8	0.350	679				
ZWSMD012012-734	12	39	117	36	0.8	0.350	734				
ZWSMD012012-794	12	36	117	33	0.8	0.350	794				
ZWSMD012012-913	12	31	117	29	0.8	0.350	913				
ZWSMD012012-987	12	29	117	27	0.8	0.350	987				
ZWSMD012012-1135	12	25	117	24	0.8	0.350	1135				
ZWSMD012012-1227	12	23	117	22	0.8	0.350	1227				
ZWSMD012012-1526	12	19	117	18	0.8	0.350	1526				

\*above specifications are subject to change without notice, just for reference and customizable according to requirements.