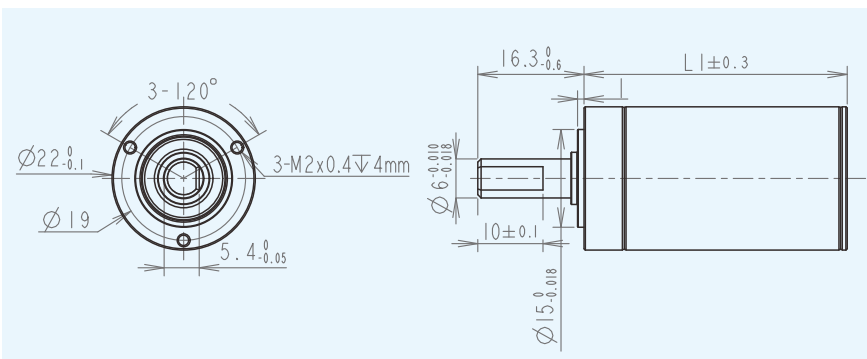


SMD022022

Φ22mm Planetary Gearbox



Technical data

Gearbox number		1	2	3	4	5
Continuous output torque (MAX)	Nm	1	2.9	4.3	5.5	5.2
Instant mobilization torque (MAX)	Nm	1.25	3.6	5.3	6.5	6.5
Reduction ratio	/	3.71	9.7, 14	43, 66	94, 112, 134, 159, 190, 246	415, 592, 989, 1526
Outer diameter	mm	22	22	22	22	22
Gearbox length	mm	24.3	32.8	40.4	46.5	52.6
Maximum efficiency	%	96	92	90	87	83
Recommended temperature range	°C	-30~+100	-30~+100	-30~+100	-30~+100	-30~+100
Gearbox weight (MAX)	G	53	65	76	88	102
Maximum transmission power (continuous)	W	66	36	20	11	6
Maximum transmission power (Instantaneous)	W	82.5	45	25	14	7
Air load average empty return	°	0.5	0.5	0.5	0.5	0.5
The maximum axial load (dynamic)	N	80	80	80	80	80
The maximum radial load (4mm from flange)	N	100	145	150	150	150
Output Bearing		Rolling Pearl Bearing	Rolling Pearl Bearing	Rolling Pearl Bearing	Rolling Pearl Bearing	Rolling Pearl Bearing
Pearl bearing	mm	0~0.1	0~0.1	0~0.1	0~0.1	0~0.1
Maximum axis pressure coordination	N	240	240	240	240	240

*Note: The above data does not include the motor, the overall sale of the gearbox and the motor, the specific parameters can be customized according to the customer's requirements.

Modular combination

Combined product	Model	Series				
		1	2	3	4	5
DC motor	MP1931 Φ19mm Graphite brush	56.1	64.6	72.2	78.3	84.4
	MP2238 Φ22mm Graphite brush	62.5	71	78.6	84.7	90.8
Brushless motor	MO1925 Φ19mm Outer rotation brushless motor	49.3	57.8	65.4	71.5	77.6
	MC2232 Φ22mm coreless brushless motor	56.3	64.8	72.4	78.5	84.6
	MC2250 Φ22mm coreless brushless motor	74.3	82.8	90.4	96.5	102.6
Encoder	CB-ST-16	Magnetic tape				

Application product data

Model	Rated voltage (V)	Air load data		Load data			Total length (mm)	Gearbox rated torque (NM)	Gearbox instantaneous torque(NM)	Reduction ratio	gearbox length L1(mm)
		Air -load speed (rpm)	No-load current (mA max)	Load speed (rpm)	Load current (A Max)	Torque (gf.cm)					
ZWSMD022022-3.71	24	1914	150	1482	1	552	56.3	1	1.25	3.71	24.3
ZWSMD022022-9.7	24	732	200	567	1.2	1383	64.8	2.9	3.6	9.7	32.8
ZWSMD022022-14	24	507	200	393	1.2	1996				14	
ZWSMD022022-43	24	165	250	128	1.5	5999	72.4	4.3	5.3	43	40.4
ZWSMD022022-66	24	108	250	83	1.5	9207				66	
ZWSMD022022-94	24	76	300	59	1.8	12676	78.5	5.5	6.5	94	46.5
ZWSMD022022-112	24	63	300	49	1.8	15103				112	
ZWSMD022022-134	24	53	300	41	1.8	18070				134	
ZWSMD022022-159	24	45	300	35	1.8	21441				159	
ZWSMD022022-190	24	37	300	29	1.8	25622				190	
ZWSMD022022-246	24	29	300	22	1.8	33173				246	
ZWSMD022022-415	24	17	350	13	2.2	53390	84.6	5.2	6.5	415	52.6
ZWSMD022022-592	24	12	350	9	2.2	76161				592	
ZWSMD022022-989	24	7	350	6	2.2	127235				989	
ZWSMD022022-1526	24	5	350	4	2.2	196320				1526	