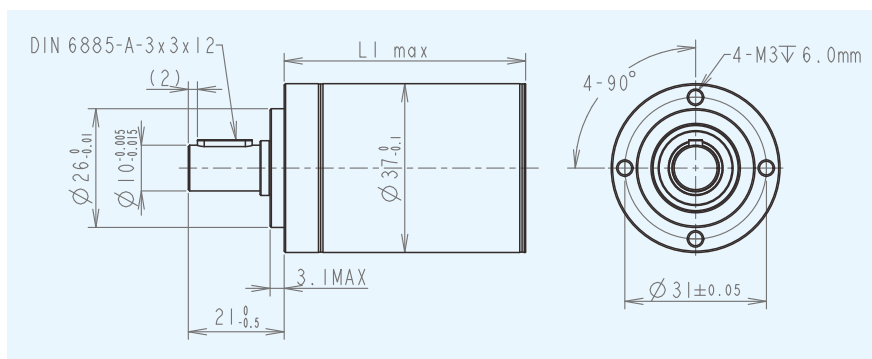


# SMD038038

Φ38mm Planetary Gearbox



## Technical data

Gearbox number		1	2	3
Continuous output torque (MAX)	Nm	2.3	5.4	9.3
Instant mobilization torque (MAX)	Nm	2.9	6.8	11.6
Reduction ratio	/	3.9	16, 26	62, 83, 103, 111, 138, 150, 172, 186, 231
Outer diameter	mm	37	37	37
Gearbox length	mm	32.3	45.4	52.9
Maximum efficiency	%	96	93	90
Recommended temperature range	°C	-40~+100	-40~+100	-40~+100
Gearbox weight (MAX)	G	240	320	420
Maximum transmission power (continuous)	W	185	90	45
Maximum transmission power (Instantaneous)	W	230	115	60
Air load average empty return	°	0.5	0.5	0.5
The maximum axial load (dynamic)	N	240	240	240
The maximum radial load (4mm from flange)	N	200	250	250
Output Bearing		Rolling Pearl Bearing	Rolling Pearl Bearing	Rolling Pearl Bearing
Pearl bearing	mm	0~0.1	0~0.1	0~0.1

\*Note: The above data does not include the motor, the overall sale of the gearbox and the motor, the specific parameters can be customized according to the customer's requirements.

## Modular combination

Combined product	Model	Series		
		1	2	3
DC motor	3571 Φ35mm Hollow Cup brush	103.3	116.4	123.9
	3857 Φ38mm Graphite brush	89.3	102.4	109.9
Brushless motor	3657 Φ36mm brushless motor	89.3	102.4	109.9
Encoder	CB-ST-22	Magnetic tape		

## Application product data

Model	Rated voltage (V)	Air load data		Load data			Total length (mm)	Gearbox rated torque (NM)	Gearbox instantaneous torque (NM)	Reduction ratio	gearbox length L1 (mm)
		Air -load speed (rpm)	No-load current (mA max)	Load speed (rpm)	Load current (A Max)	Torque (kgf.cm)					
ZWSMD038038-3.9-X	24	2085	600	1836	4	4.6	103.3	2.3	2.9	3.9	32.3
ZWSMD038038-16-X	24	508	600	448	4.5	18.2	116.4	5.4	6.8	16	45.4
ZWSMD038038-26-X	24	313	600	275	4.5	29.5				26	
ZWSMD038038-62-X	24	131	700	115	5	68.9	123.9	9.3	11.6	62	52.9
ZWSMD038038-83-X	24	98	700	86	5	92.3				83	
ZWSMD038038-103-X	24	79	700	70	5	114.5				103	
ZWSMD038038-111-X	24	73	700	65	5	123.4				111	
ZWSMD038038-138-X	24	59	700	52	5	153.4				138	
ZWSMD038038-150-X	24	54	700	48	5	166.7				150	
ZWSMD038038-172-X	24	47	700	42	5	191.2				172	
ZWSMD038038-186-X	24	44	700	38	5	206.7				186	
ZWSMD038038-231-X	24	35	700	31	5	256.8				231	